

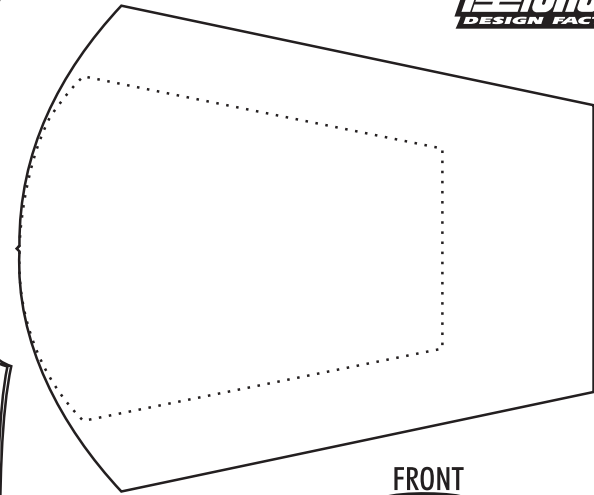
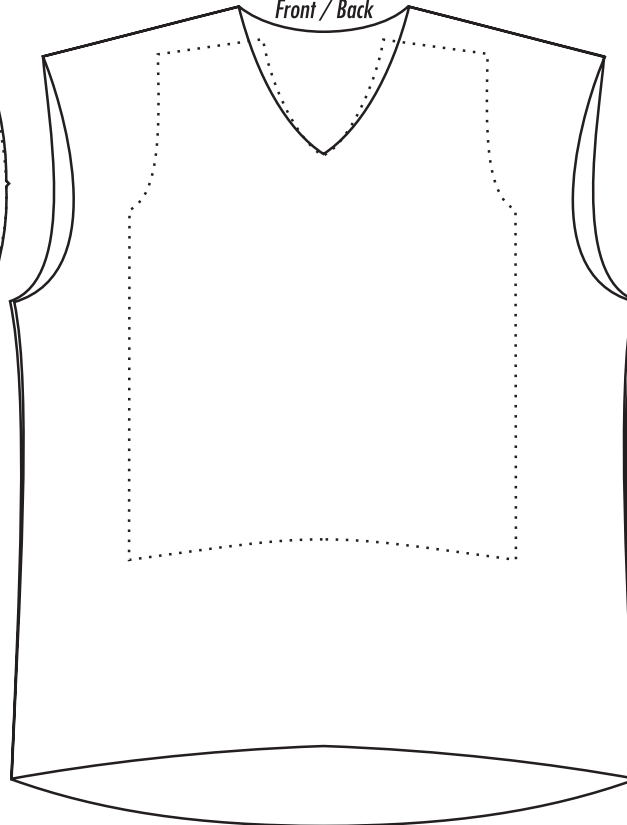
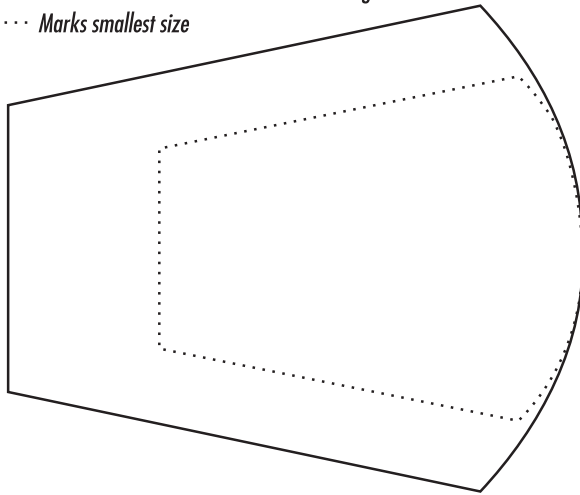
—— Marks largest size
 Marks smallest size

Right Sleeve

Collar

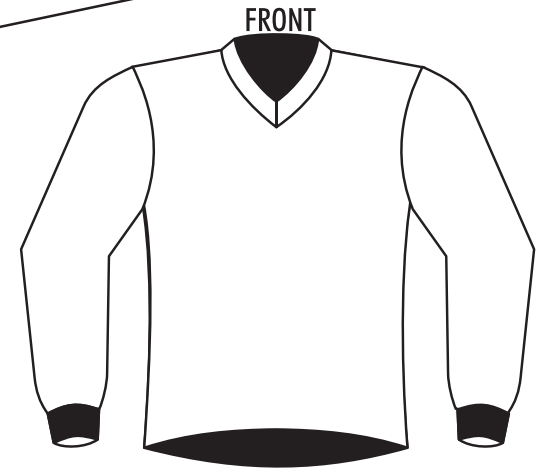
Left Sleeve

Front / Back



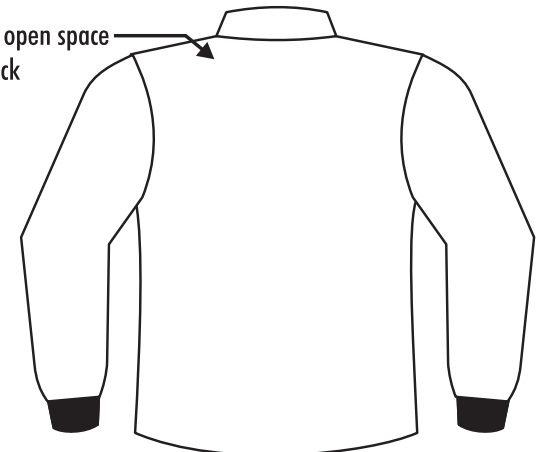
List sponsors by priority

1. _____
2. _____
3. _____
4. _____
5. _____
6. _____
7. _____
8. _____
9. _____
10. _____



FRONT

Rider names require 5" open space from top of back



BACK

STYLE: **M-1-V (V-NECK COLLAR, SET-IN SLEEVE)**

HOT SHOPPE DESIGNS	
Layout design, list sponsors and identify their locations and size.	Available sizes: Youth S-L Adult XS-2X
Mail or fax a copy of this artwork for us to estimate the scope of your job.	Identical front & back design is most cost effective.
Questions? please call our art department (949) 487-2828 or e-mail us at: dave@hotshoppedesigns.com	